

# Biceps Curl


FSW40800

**KOMPAN**<sup>®</sup>



Número de artículo FSW40800-0001

## Información general del producto

Dimensiones LxAnch.xAl.	86x130x92 cm
Grupo de edad	13+
Usuarios	1
Opciones de color	



The Biceps machine provides smooth weight training for the arms. It is incredibly easy to use, as the only required adjustment is the weight load. The ergonomically shaped handles are comfortable and offer multiple grip positions to target the muscles from different angles.

# Biceps Curl

FSW40800



All mechanical stops are fully enclosed within the cover. The adjustable weight, featuring internal end stops and indexed positions, moves on rollers within an enclosed groove in an aluminium profile. As a result, entrapment is not possible, making it extremely safe to use and providing protection against the elements and unwanted abuse.



The weight can be adjusted in 8 steps of 5kg, providing a training weight from 5 to 40kg. The patent pending system is intuitive to use, eliminating the need for traditional pins that can get lost or stuck. Pull the handle and move the weight to quickly select the desired load.



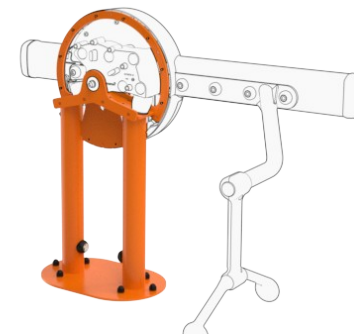
The ergonomically shaped handles are designed for comfort and feature multiple grip positions to allow targeted training from different angles. The double-hinged design ensures natural wrist movement throughout the exercise, promoting smooth motion and properly loaded biceps engagement.



The machine features low operating noise thanks to an internal end stop made from TPE (thermoplastic elastomer). The damper absorbs impact energy from the weight with minimal rebound, reducing noise and vibration and ensuring a quieter, more controlled training experience.



The information sign is made of Polycarbonate and shows the most relevant exercise and a QR code. The QR code links to a video of the exercise in the KOMPAN sports & fitness App, which will provide a large amount of exercises and training.



All Steel components are made from carbon steel, with a hot-dip galvanized surface according to ISO1461, and a powder coating corrosion class C3 according to ISO12944-2. Lead content for surfaces is below 90ppm, and below 100ppm for base material.

Número de artículo FSW40800-0001

## Información de instalación

Altura máxima de caída	0 cm
Área de seguridad	15,0 m <sup>2</sup>
Horas de instalación	0,0 horas
Volumen de excavación	0,00 m <sup>3</sup>
Volumen de hormigón	0,00 m <sup>3</sup>
Profundidad de anclaje	0 cm
Peso del envío	0 kg
Opciones de anclaje	

## Garantías

Metal galvanizado/pintado	10 años
Aluminio	15 años
Partes móviles	2 años
Piezas de repuesto garantizadas	10 años

**EN**  
**16630**  
compliant

# Sustainability Data

FSW40800

**KOMPAN**



## Independent review certificate

Kompan A/S  
C. F. Tietgens Blvd. 32C, 5220 Odense SØ

Bureau Veritas hereby attests that the CO<sub>2</sub>e-calculations (covering materials, processing, waste and transport) done by Kompan for "Fitness", meet the requirements set by the listed standard.

Kompan A/S uses a selection of EPDs and emission factors from the Life Cycle Assessment database Ecoinvent 3.11. These values are reported as kg CO<sub>2</sub>e, with all other impact categories excluded in line with the scope of ISO 14067:2018. The emission factors cover, material use, manufacturing processes, transport to Kompan, and electricity used during manufacturing. The presented emissions fall under GHG Protocol scope 3 emissions. Scope 1 and 2 are not presented. Scope 3 emissions include emission sources in the upstream value chain of a company, downstream emissions are excluded in this analysis.

Method: ISO 14067:2018 using GHG protocol guidance documents, reported as kg CO<sub>2</sub>e.

### Object

The verification has been done on the one pager "FAZ10100-0900" version: 27-10-2025. The supporting documentation "KOMPAN data\_updated emissions factors\_2025\_V2" and "Emissions factors, EPD's and ecoinvent 3.11\_2025" was also reviewed and approved.

### Declaration

The review has been completed as a critical review with a limited assurance. I hereby confirm that nothing has come to the reviewer's attention which would lead to conclude that the study does not give an accurate depiction or isn't completed following method of the CO<sub>2</sub>e calculation, the requirements of ISO 14067:2018, and 14071:2024, in the above referenced documentation.

**Note:** This verification only covers calculation elements according to method described in ISO 14067:2018 and may not be seen as a Life Cycle Assessment according to ISO 14067:2018.

**Ref.:** Kompan\_Verification report 2025, 28-10-2025

**Date of certificate:** 29-10-2025

**Expire date:** 29-10-2027

**Verified by:** Julie Marie Vejsgaard Larsen, Environmental Auditor

**Signature:**

### Cuna a puerta A1-A3

**Emisión total CO<sub>2</sub>**

kg de CO<sub>2</sub>e

**CO<sub>2</sub>e/kg**

kg de CO<sub>2</sub>e/kg

**Materiales Reciclados**

%

FSW40800-0001

0,00

0,00

0,00

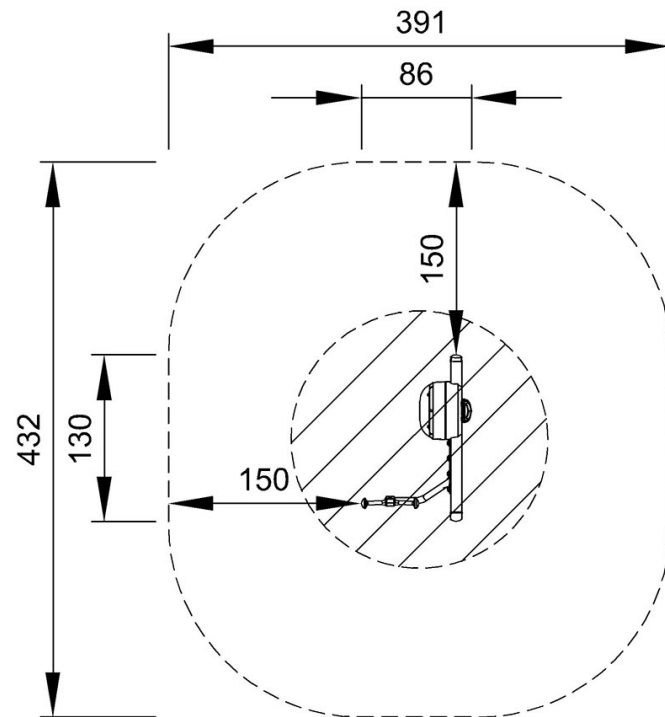
El marco general aplicado para estos factores es la Declaración Ambiental de Producto (EPD), que cuantifica "la información ambiental sobre el ciclo de vida de un producto y permite realizar comparaciones entre productos que cumplen la misma función" (ISO, 2006). Esto sigue la estructura y aplica un enfoque de evaluación del ciclo de vida a toda la etapa del producto, desde la materia prima hasta la fabricación (A1-A3))

# Biceps Curl

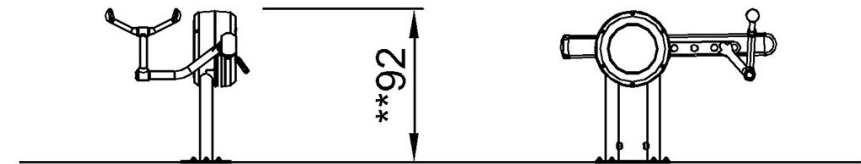
FSW40800

\* Altura Máx. de caída | \*\* Altura total | \*\*\* Área de seguridad

\* Altura Máx. de caída | \*\* Altura total



FSW40800  
\*0cm  
\*\*92cm  
\*\*\*15m<sup>2</sup>



FSW40800

[Haga clic para ver VISTA SUPERIOR](#)

[Haga clic para ver VISTA LATERAL](#)